

ACS-J109

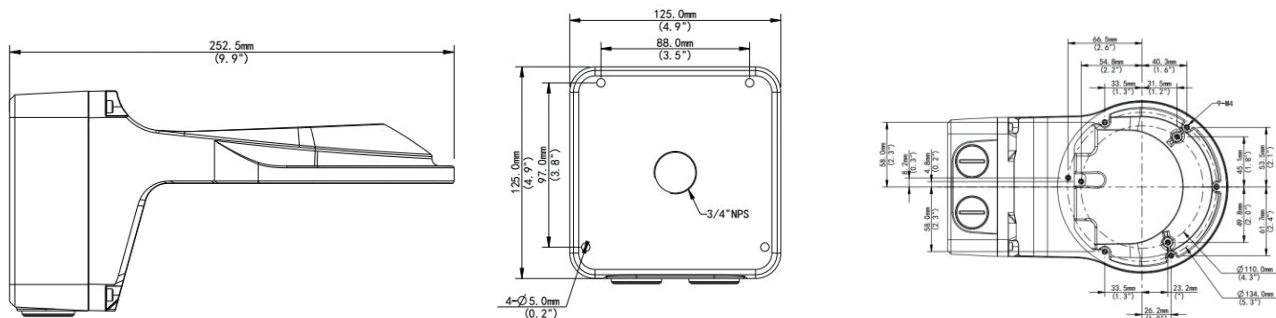
Fixed Dome Outdoor Wall Mount



Specifications

Bracket	ACS-J109
Application	CyberView 411D-TAA/811D
Dimensions	Φ 125mm*125mm*252.5mm (4.92" x4.92"x9.94")
Weight	0.98kg(2.16lb)
Material	Aluminum alloy

Dimension



Shipping Information:

Item	UPC Code
ACS-J109	744390952531