

ACS-J101

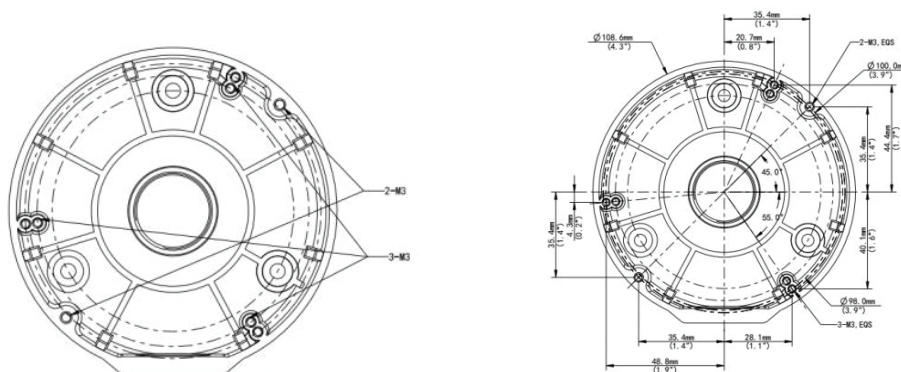
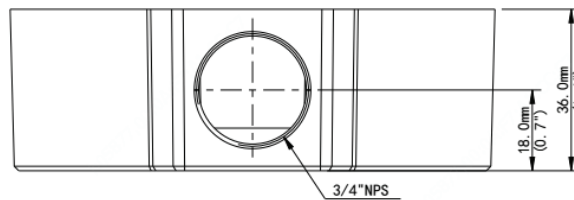
Fixed Dome Junction Box



Specifications

Bracket	ACS-J101
Application	CyberView 200D/400D/410D-TAA/810D Fixed Dome Cameras
Dimensions	Ø108.6 × 36mm (Ø4.28" × 1.42")
Weight	0.2kg (0.44lb)
Material	Aluminum alloy

Dimension



Shipping Information:

Item	UPC Code
ACS-J101	744390952456